



TITLE:

Drum-Roll Drum Hanks

CODE:

SFX/ACC-DRUM-CLOU-1

DESCRIPTION:

Drum-Roll Clou

SUPPLIED AS:

CLOU



enquiries@securiflex.co.uk | www.securiflex.co.uk | 03333 44 66 23



Product Specification

Technical Data

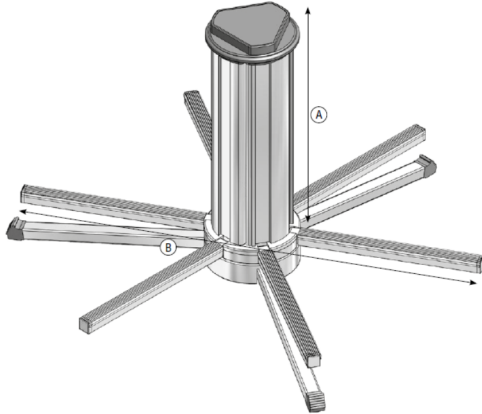
Weight (kg)	7.5
Length (m)	0.53
Width (m)	0.215
Height (m)	0.17
Packaging	Carton
Load-bearing capacity	80kg
Coil Diameter	750mm
Core Diameter	150mm-260mm
Core Height	350mm
Work Space	800x800mm
Storage Room (H x W)	750x750x455mm



enquiries@securiflex.co.uk | www.securiflex.co.uk | 03333 44 66 23



MORE INFORMATION:



TECHNICAL DATA

Load-bearing capacity	80 kg
Coil Ø	750 mm
Core Ø	min. 150 mm max. 260 mm
A) Core height	350 mm
B) Working field	800 x 800 mm
Storage capacity (Ø, H)	170 mm, 455 mm
Weight	7.5 kg

ORDER NO.

CLOU incl. carrier bag SFX/ACC-DRUM-CLOU-1

ACCESSORIES

CLOU FIX (Set = 3 pcs.) incl. carrier bag	X/ACC-DRUM-CLOU-FIX-3
CLOU UP (Set = 3 pcs.)	FX/ACC-DRUM-CLOU-UP-3
CLOU MOVE (Set = 3 pcs.)	SFX/ACC-DRUM-CLOU-MOVE-3



enquiries@securiflex.co.uk | www.securiflex.co.uk | 03333 44 66 23